

TO GIVE YOU
THE MOST SECURE PROTECTION

<https://www.binzhoubida.com>



BIDA COMPANY

颯达安防

BIDA CHEMICAL FIBER FALL PROTECTION EQUIPMENT

USD

5,000,000+

ANNUAL OUTPUT VALUE

M²

8000+

FACTORY SPACE

QUANTITY

200+

PRODUCTION MACHINE

SQUARE

2000+

FINISHED GOODS WAREHOUSE

滨州市焱达化纤绳有限公司



ABOUT US

Binzhou Bida Chemical fiber Rope Net Co.,Ltd, was established in May 2018, with its registered address located in Hui Town, Huimin County, Binzhou City, Shandong Province. We focus on the field of special labor protection equipment, deeply cultivate and continuously improve product quality and technological content, to meet increasingly strict market demands and customer expectations. Our products cover more than 30 varieties including seat belts, safety ropes, manhole covers, safety nets, protective nets, sunshade nets, etc. They are widely used in various fields such as electricity industry, construction transportation, and high-altitude operations, and have won the trust and praise of a large number of users.

The company has advanced intelligent production equipment, complete testing equipment, and a complete inspection system. We strictly control every step from raw materials entering the factory to finished products leaving the factory, ensuring that every product sold is worthy of your trust.

As always, if you have any questions about the safety, application or selection of the product. Please call or write to us today and we will do everything we can to help you find the best product for your needs.



SAFETY HARNESS

Fully padded straps with comfortable knitted mesh pads for better shock absorption & air permeability



Front chest D ring made by forging aluminium and make the harness ideal as a rescue and ladder climbing harness

3D waist cushion increases comfort and reduces the fatigue caused by the weight of tools hanging on the harness and shoulders always keep the wearer comfortable.

SAFETY HARNESS

Construction & Industrial/Rescue BD001



Universal size

Certified to EN 361-2002

- Hanging point: a black D ring of aluminum oxide on the back, heat treatment; Two D ring hanging points on the chest, static tension 22KN/3min
- For greater visibility in dark and dangerous environments reflective material is integrated on legs, shoulders and back
- Light weight, moisture wicking and breathable padding alwayskeeping the wearer comfortable
- Leg pad allows comfort and additional security during fall
- Shoulder pad helps minimize pressure on shoulder
- Custom design webbing end secure to hang on to when adjusting the straps
- Individually inspected
- Customized webbing color available



Heavy Duty



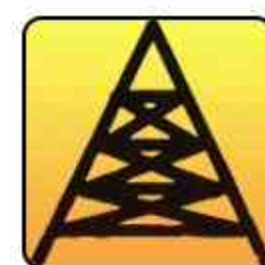
Construction
& Maintenance



Work
Positioning



Free Fall
Arrest



Tower
Harness



Rescue



Ladder
Climbing



Retrieval
Confined Spaces



Construction & Industrial/Rescue BD002

Universal size

Certified to EN 361-2002; EN 354:2010

- Hanging point: a black D ring of aluminum oxide on the back, heat treatment; Two D ring hanging points on the chest, static tension 22KN/3min
- For greater visibility in dark and dangerous environments reflective material is integrated on legs, shoulders and back
- Light weight, moisture wicking and breathable padding alwayskeeping the wearer comfortable
- Leg pad allows comfort and additional security during fall
- Shoulder pad helps minimize pressure on shoulder
- Custom design webbing end secure to hang on to when adjusting the straps
- Individually inspected
- Customized webbing color available



Heavy Duty



Construction
& Maintenance



Work
Positioning



Free Fall
Arrest



Tower
Harness



Rescue



Ladder
Climbing



Retrieval
Confined Spaces

SAFETY HARNESS

Construction & Industrial/Rescue BD003



Universal size

Certified to EN 361-2002: EN358-1991

- Hanging point: back, chest each stamping color zinc two small D ring anti-fall hanging point, waist front one stamping color zinc two small D ring climbing hanging point waist two forging color zinc small D ring positioning hanging point, heat treatment, static tension 22KN/3min
- Light weight, moisture wicking and breathable padding alwayskeeping the wearer comfortable
- Leg pad allows comfort and additional security during fall
- Shoulder pad helps minimize pressure on shoulder
- Custom design webbing end secure to hang on to when adjusting the straps
- Individually inspected
- Customized webbing color available



Heavy Duty



Construction
& Maintenance



Work
Positioning



Free Fall
Arrest



Abseiling



Tower
Harness



Rescue



Ladder
Climbing



Retrieval
Confined Spaces



Construction & Industrial/Rescue BD004

Universal size

Certified to ANSI Z 359.11-2014

- Hanging point: a forged black electrophoretic large D ring on the back, heat treatment, static tension 22KN/3min
- For greater visibility in dark and dangerous environments reflective material is integrated on legs, shoulders and back
- Light weight, moisture wicking and breathable padding alwayskeeping the wearer comfortable
- Leg pad allows comfort and additional security during fall
- Shoulder pad helps minimize pressure on shoulder
- Custom design webbing end secure to hang on to when adjusting the straps
- Individually inspected
- Customized webbing color available



Heavy Duty



Construction
& Maintenance



Work
Positioning



Free Fall
Arrest



Tower
Harness



Rescue



Ladder
Climbing



Retrieval
Confined Spaces

SAFETY HARNESS

Construction & Industrial/Rescue BD005



Universal size

Certified to ANSI Z 359.11-2014

- Hanging point: a forged black electrophoretic large D ring on the back, heat treatment, static tension 22KN/3min
- For greater visibility in dark and dangerous environments reflective material is integrated on legs, shoulders and back
- Light weight, moisture wicking and breathable padding alwayskeeping the wearer comfortable
- Leg pad allows comfort and additional security during fall
- Shoulder pad helps minimize pressure on shoulder
- Custom design webbing end secure to hang on to when adjusting the straps
- Individually inspected
- Customized webbing color available



Heavy Duty



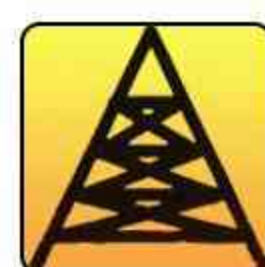
Construction
& Maintenance



Work
Positioning



Free Fall
Arrest



Tower
Harness



Rescue



Ladder
Climbing



Retrieval
Confined Spaces



Construction & Industrial/Rescue BD006

Universal size

Certified to EN 361-2002

- Hanging point: a black D ring of aluminum oxide on the back, heat treatment; Two D ring hanging points on the chest, static tension 22KN/3min
- For greater visibility in dark and dangerous environments reflective material is integrated on legs, shoulders and back
- Light weight, moisture wicking and breathable padding alwayskeeping the wearer comfortable
- Leg pad allows comfort and additional security during fall
- Shoulder pad helps minimize pressure on shoulder
- Custom design webbing end secure to hang on to when adjusting the straps
- Individually inspected
- Customized webbing color available



Heavy Duty



Construction
& Maintenance



Work
Positioning



Free Fall
Arrest



Tower
Harness



Rescue



Ladder
Climbing



Retrieval
Confined Spaces

SAFETY HARNESS

safety harness



Construction & Industrial/Rescue BD007

Universal size

Certified to ANSI Z 359.11-2014

- Webbing: 100%PES, width 45mm, static tension 25KN/min
- Hanging point: Back 1 stamped color zinc D ring anti-fall hanging point, heat treatment Two D ring hanging points on the chest, static tension 22KNK/min
- Adjustment points: 5 adjustment points, chest strap, leg strap shoulder strap can be adjusted Chest 1 set of black electrophoresis fast fasteners, leg 2 sets of black electrophoresis fast fasteners Static tension 15KN/min
- Comfort: There are EVA pads at the waist for comfort
- Support OEM/ODM customization



Heavy Duty



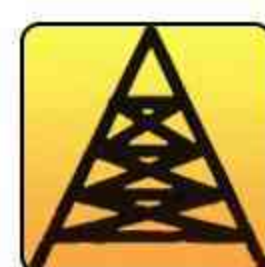
Construction
& Maintenance



Work
Positioning



Free Fall
Arrest



Tower
Harness



Rescue



Ladder
Climbing



Retrieval
Confined Spaces



Construction & Industrial/Rescue BD008

Universal size

Certified to EN 361-2002

- Webbing: 100%PES, width 45mm, static tension 25KN/min
- Hanging point: Back 1 stamped color zinc D ring anti-fall hanging point, heat treatment

Two D ring hanging points on the chest, static tension 22KNK/min

- Adjustment points: 5 adjustment points, chest strap, leg strap, shoulder strap can be adjusted

Chest 1 set of stamped plated colored child buckle, legs 2 sets of stamped plated colored child buckle

Static tension 15KN/min

- Support OEM/ODM customization



Heavy Duty



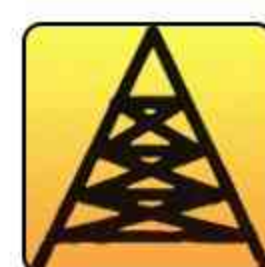
Construction
& Maintenance



Work
Positioning



Free Fall
Arrest



Tower
Harness



Rescue



Ladder
Climbing



Retrieval
Confined Spaces

SAFETY HARNESS



Construction & Industrial/Rescue BD009

Universal size

Certified to ANSI Z 359.11-2014

- Hanging point: a forged black electrophoretic large D ring on the back, heat treatment, static tension 22KN/3min
- For greater visibility in dark and dangerous environments reflective material is integrated on legs, shoulders and back
- Light weight, moisture wicking and breathable padding alwayskeeping the wearer comfortable
- Leg pad allows comfort and additional security during fall
- Shoulder pad helps minimize pressure on shoulder
- Custom design webbing end secure to hang on to when adjusting the straps
- Individually inspected
- Customized webbing color available



Heavy Duty



Construction
& Maintenance



Work
Positioning



Free Fall
Arrest



Tower
Harness



Rescue



Ladder
Climbing



Retrieval
Confined Spaces



Construction & Industrial/Rescue BD010

Universal size

Certified to EN 361-2002

- Hanging point: a black D ring of aluminum oxide on the back, heat treatment; Two D ring hanging points on the chest, static tension 22KN/3min
- For greater visibility in dark and dangerous environments reflective material is integrated on legs, shoulders and back
- Light weight, moisture wicking and breathable padding alwayskeeping the wearer comfortable
- Leg pad allows comfort and additional security during fall
- Shoulder pad helps minimize pressure on shoulder
- Custom design webbing end secure to hang on to when adjusting the straps
- Individually inspected
- Customized webbing color available



Heavy Duty



Construction
& Maintenance



Work
Positioning



Free Fall
Arrest



Tower
Harness



Rescue



Ladder
Climbing



Retrieval
Confined Spaces

SAFETY HARNESS

safety harness



Construction & Industrial/Rescue BD011

Universal size
Certified to ANSI Z 359.11-2014

- Hanging point: a forged black electrophoretic large D ring on the back, heat treatment, static tension 22KN/3min
- For greater visibility in dark and dangerous environments reflective material is integrated on legs, shoulders and back
- Light weight, moisture wicking and breathable padding alwayskeeping the wearer comfortable
- Leg pad allows comfort and additional security during fall
- Shoulder pad helps minimize pressure on shoulder
- Custom design webbing end secure to hang on to when adjusting the straps
- Individually inspected
- Customized webbing color available



Heavy Duty



Construction
& Maintenance



Ladder
Climbing



Free Fall
Arrest



Tower
Harness



Rescue



Retrieval
Confined Spaces



Construction & Industrial/Rescue BD012

Universal size

Certified to EN 361-2002

- Hanging point: a black D ring of aluminum oxide on the back, heat treatment; Two D ring hanging points on the chest, static tension 22KN/3min
- For greater visibility in dark and dangerous environments reflective material is integrated on legs, shoulders and back
- Light weight, moisture wicking and breathable padding alwayskeeping the wearer comfortable
- Leg pad allows comfort and additional security during fall
- Shoulder pad helps minimize pressure on shoulder
- Custom design webbing end secure to hang on to when adjusting the straps
- Individually inspected
- Customized webbing color available



Heavy Duty



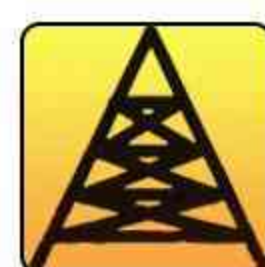
Construction
& Maintenance



Ladder
Climbing



Free Fall
Arrest



Tower
Harness



Rescue



Retrieval
Confined Spaces

SAFETY HARNESS

safety harness



Construction & Industrial/Rescue BD013

Universal size

Certified to ANSI Z 359.11-2014

- Hanging point: a forged black electrophoretic large D ring on the back, heat treatment, static tension 22KN/3min
- For greater visibility in dark and dangerous environments reflective material is integrated on legs, shoulders and back
- Light weight, moisture wicking and breathable padding alwayskeeping the wearer comfortable
- Leg pad allows comfort and additional security during fall
- Shoulder pad helps minimize pressure on shoulder
- Custom design webbing end secure to hang on to when adjusting the straps
- Individually inspected
- Customized webbing color available



Construction
& Maintenance



Free Fall
Arrest



Ladder
Climbing



Retrieval
Confined Spaces



Tower
Harness



Construction & Industrial/Rescue BD014

Universal size

Certified to EN 361-2002

- Hanging point: a black D ring of aluminum oxide on the back, heat treatment; Two D ring hanging points on the chest, static tension 22KN/3min
- For greater visibility in dark and dangerous environments reflective material is integrated on legs, shoulders and back
- Light weight, moisture wicking and breathable padding alwayskeeping the wearer comfortable
- Leg pad allows comfort and additional security during fall
- Shoulder pad helps minimize pressure on shoulder
- Custom design webbing end secure to hang on to when adjusting the straps
- Individually inspected
- Customized webbing color available



Heavy Duty



Construction
& Maintenance



Work
Positioning



Free Fall
Arrest



Tower
Harness



Rescue



Ladder
Climbing



Retrieval
Confined Spaces

SAFETY HARNESS



Construction & Industrial/Rescue BD015

Universal size

Certified to ANSI Z 359.11-2014

- Hanging point: a forged black electrophoretic large D ring on the back, heat treatment, static tension 22KN/3min
- For greater visibility in dark and dangerous environments reflective material is integrated on legs, shoulders and back
- Light weight, moisture wicking and breathable padding alwayskeeping the wearer comfortable
- Leg pad allows comfort and additional security during fall
- Shoulder pad helps minimize pressure on shoulder
- Custom design webbing end secure to hang on to when adjusting the straps
- Individually inspected
- Customized webbing color available



Heavy Duty



Construction
& Maintenance



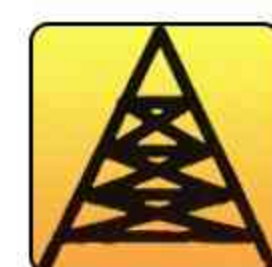
Work
Positioning



Free Fall
Arrest



Abseiling



Tower
Harness



Rescue



Ladder
Climbing



Retrieval
Confined Spaces



Construction & Industrial/Rescue BD016

Universal size

Certified to EN 361-2002

- Hanging point: a black D ring of aluminum oxide on the back, heat treatment; Two D ring hanging points on the chest, static tension 22KN/3min
- For greater visibility in dark and dangerous environments reflective material is integrated on legs, shoulders and back
- Light weight, moisture wicking and breathable padding alwayskeeping the wearer comfortable
- Leg pad allows comfort and additional security during fall
- Shoulder pad helps minimize pressure on shoulder
- Custom design webbing end secure to hang on to when adjusting the straps
- Individually inspected
- Customized webbing color available



Heavy Duty



Construction
& Maintenance



Work
Positioning



Free Fall
Arrest



Tower
Harness



Ladder
Climbing



Retrieval
Confined Spaces

SAFETY HARNESS

safety harness



Construction & Industrial/Rescue BD017

Universal size

Certified to ANSI Z 359.11-2014

- Hanging point: a forged black electrophoretic large D ring on the back, heat treatment, static tension 22KN/3min
- For greater visibility in dark and dangerous environments reflective material is integrated on legs, shoulders and back
- Light weight, moisture wicking and breathable padding alwayskeeping the wearer comfortable
- Leg pad allows comfort and additional security during fall
- Shoulder pad helps minimize pressure on shoulder
- Custom design webbing end secure to hang on to when adjusting the straps
- Individually inspected
- Customized webbing color available



Heavy Duty



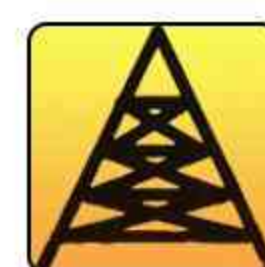
Construction
& Maintenance



Ladder
Climbing



Free Fall
Arrest



Tower
Harness



Retrieval
Confined Spaces



Construction & Industrial/Rescue BD018

Universal size

Certified to EN 361-2002

- Hanging point: a black D ring of aluminum oxide on the back, heat treatment; Two D ring hanging points on the chest, static tension 22KN/3min
- For greater visibility in dark and dangerous environments reflective material is integrated on legs, shoulders and back
- Light weight, moisture wicking and breathable padding alwayskeeping the wearer comfortable
- Leg pad allows comfort and additional security during fall
- Shoulder pad helps minimize pressure on shoulder
- Custom design webbing end secure to hang on to when adjusting the straps
- Individually inspected
- Customized webbing color available



Heavy Duty



Construction
& Maintenance



Retrieval
Confined Spaces



Free Fall
Arrest



Tower
Harness



Rescue

SAFETY HARNESS

Construction & Industrial/Rescue BD019



Universal size

Certified to ANSI Z 359.11-2014

- Hanging point: a forged black electrophoretic large D ring on the back, heat treatment, static tension 22KN/3min
- For greater visibility in dark and dangerous environments reflective material is integrated on legs, shoulders and back
- Light weight, moisture wicking and breathable padding alwayskeeping the wearer comfortable
- Leg pad allows comfort and additional security during fall
- Shoulder pad helps minimize pressure on shoulder
- Custom design webbing end secure to hang on to when adjusting the straps
- Individually inspected
- Customized webbing color available



Heavy Duty



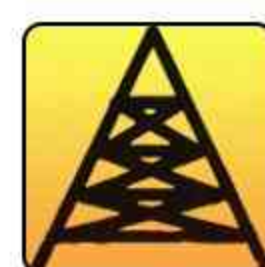
Construction
& Maintenance



Ladder
Climbing



Free Fall
Arrest



Tower
Harness



Retrieval
Confined Spaces



Construction & Industrial/Rescue BD020

Universal size

Certified to EN 361-2002

- Hanging point: a black D ring of aluminum oxide on the back, heat treatment; Two D ring hanging points on the chest, static tension 22KN/3min
- For greater visibility in dark and dangerous environments reflective material is integrated on legs, shoulders and back
- Light weight, moisture wicking and breathable padding alwayskeeping the wearer comfortable
- Leg pad allows comfort and additional security during fall
- Shoulder pad helps minimize pressure on shoulder
- Custom design webbing end secure to hang on to when adjusting the straps
- Individually inspected
- Customized webbing color available



Heavy Duty



Construction
& Maintenance



Work
Positioning



Free Fall
Arrest



Abseiling



Ladder
Climbing

SAFETY HARNESS

safety harness



Construction & Industrial/Rescue BD021

Universal size

Certified to ANSI Z 359.11-2014

- Hanging point: a forged black electrophoretic large D ring on the back, heat treatment, static tension 22KN/3min
- For greater visibility in dark and dangerous environments reflective material is integrated on legs, shoulders and back
- Light weight, moisture wicking and breathable padding alwayskeeping the wearer comfortable
- Leg pad allows comfort and additional security during fall
- Shoulder pad helps minimize pressure on shoulder
- Custom design webbing end secure to hang on to when adjusting the straps
- Individually inspected
- Customized webbing color available



Heavy Duty



Construction
& Maintenance



Work
Positioning



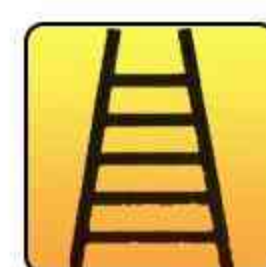
Free Fall
Arrest



Tower
Harness



Rescue



Ladder
Climbing



Retrieval
Confined Spaces



Construction & Industrial/Rescue BD022

Universal size

Certified to EN 361-2002

- Hanging point: a black D ring of aluminum oxide on the back, heat treatment; Two D ring hanging points on the chest, static tension 22KN/3min
- For greater visibility in dark and dangerous environments reflective material is integrated on legs, shoulders and back
- Light weight, moisture wicking and breathable padding alwayskeeping the wearer comfortable
- Leg pad allows comfort and additional security during fall
- Shoulder pad helps minimize pressure on shoulder
- Custom design webbing end secure to hang on to when adjusting the straps
- Individually inspected
- Customized webbing color available



Abseiling



Ladder
Climbing

SAFETY HARNESS

safety harness



Construction & Industrial/Rescue BD023

Universal size

Certified to ANSI Z 359.11-2014

- Hanging point: a forged black electrophoretic large D ring on the back, heat treatment, static tension 22KN/3min
- For greater visibility in dark and dangerous environments reflective material is integrated on legs, shoulders and back
- Light weight, moisture wicking and breathable padding alwayskeeping the wearer comfortable
- Leg pad allows comfort and additional security during fall
- Shoulder pad helps minimize pressure on shoulder
- Custom design webbing end secure to hang on to when adjusting the straps
- Individually inspected
- Customized webbing color available



Construction
& Maintenance



Work
Positioning



Ladder
Climbing



Construction & Industrial/Rescue BD024

Universal size

Certified to EN 361-2002

- Hanging point: a black D ring of aluminum oxide on the back, heat treatment; Two D ring hanging points on the chest, static tension 22KN/3min
- For greater visibility in dark and dangerous environments reflective material is integrated on legs, shoulders and back
- Light weight, moisture wicking and breathable padding alwayskeeping the wearer comfortable
- Leg pad allows comfort and additional security during fall
- Shoulder pad helps minimize pressure on shoulder
- Custom design webbing end secure to hang on to when adjusting the straps
- Individually inspected
- Customized webbing color available



Construction
& Maintenance



Ladder
Climbing

SAFETY HARNESS

Construction & Industrial/Rescue BD025

Universal size

Certified to ANSI Z 359.11-2014

- Hanging point: a forged black electrophoretic large D ring on the back, heat treatment, static tension 22KN/3min
- For greater visibility in dark and dangerous environments reflective material is integrated on legs, shoulders and back
- Light weight, moisture wicking and breathable padding alwayskeeping the wearer comfortable
- Leg pad allows comfort and additional security during fall
- Shoulder pad helps minimize pressure on shoulder
- Custom design webbing end secure to hang on to when adjusting the straps
- Individually inspected
- Customized webbing color available



Construction
& Maintenance



Work
Positioning



Ladder
Climbing



Tower
Harness



Rescue



Construction & Industrial/Rescue BD026

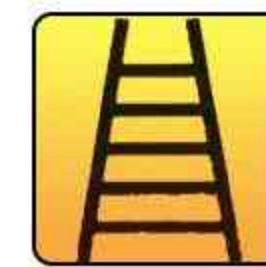
Universal size

Certified to EN 361-2002

- Hanging point: a black D ring of aluminum oxide on the back, heat treatment; Two D ring hanging points on the chest, static tension 22KN/3min
- For greater visibility in dark and dangerous environments reflective material is integrated on legs, shoulders and back
- Light weight, moisture wicking and breathable padding alwayskeeping the wearer comfortable
- Leg pad allows comfort and additional security during fall
- Shoulder pad helps minimize pressure on shoulder
- Custom design webbing end secure to hang on to when adjusting the straps
- Individually inspected
- Customized webbing color available



Construction
& Maintenance



Ladder
Climbing

SAFETY HARNESS

safety harness



Construction & Industrial/Rescue BD027

Universal size

Certified to ANSI Z 359.11-2014

- Hanging point: a forged black electrophoretic large D ring on the back, heat treatment, static tension 22KN/3min
- For greater visibility in dark and dangerous environments reflective material is integrated on legs, shoulders and back
- Light weight, moisture wicking and breathable padding alwayskeeping the wearer comfortable
- Leg pad allows comfort and additional security during fall
- Shoulder pad helps minimize pressure on shoulder
- Custom design webbing end secure to hang on to when adjusting the straps
- Individually inspected
- Customized webbing color available



Heavy Duty



Construction
& Maintenance



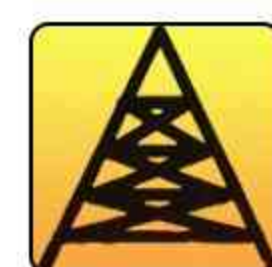
Work
Positioning



Free Fall
Arrest



Abseiling



Tower
Harness



Rescue



Ladder
Climbing



Retrieval
Confined Spaces



Construction & Industrial/Rescue BD028

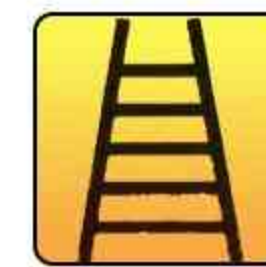
Universal size

Certified to EN 361-2002

- Hanging point: a black D ring of aluminum oxide on the back, heat treatment; Two D ring hanging points on the chest, static tension 22KN/3min
- For greater visibility in dark and dangerous environments reflective material is integrated on legs, shoulders and back
- Light weight, moisture wicking and breathable padding alwayskeeping the wearer comfortable
- Leg pad allows comfort and additional security during fall
- Shoulder pad helps minimize pressure on shoulder
- Custom design webbing end secure to hang on to when adjusting the straps
- Individually inspected
- Customized webbing color available



Abseiling



Ladder
Climbing

SAFE ONLY WITH PALOMA SAFETY

SAFETY LANYARD

Lanyards must allow the user for the necessary freedom to move in the work place, without getting in his way.

Work Positioning lanyards Are meant for allowing the user to work supported in tension in such a way that a fall is prevented or restricted

Fall arrest lanyards Are meant for minimizing the consequences of a fall from a height, by means of built-in deceleration system.

Restraint lanyards Are made for limiting the actions of a user preventing him from reaching zones where a risk of a fall exists.

SAFETY LANYARD

Scaffolding snap hook with very large gate opening and automatic locking. Designed for connecting to metallic structural members of large size, as well as large diameter cables and bars.

Thanks to the shock absorber allows the arrest force less than 6KN, which makes for a comfortable fall and the most consistent deployment rates on the market.

The easy to use carabiner makesure your lanyard won't accidentally disengage

The Twin leg 100% tie-off style helps you remain connected at all times as you move from anchor to anchor



SAFETY LANYARD



BD101 Buffered double hook braided rope

Internal Energy absorbing lanyard
Meets ANSI Z359.13-2013

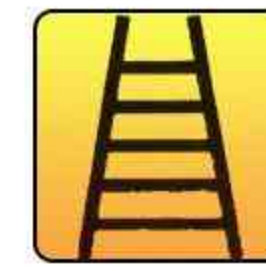
- Seat belt connector
- Total length: Customizable
- 16 kN (3600 lb) gate strength
- Separate inspection
- OEM/ODM



Heavy Duty



Abseiling



Ladder
Climbing



Free Fall
Arrest



BD102 Buffered double small hook braided rope

Internal Energy absorbing lanyard
Meets ANSI Z359.13-2013

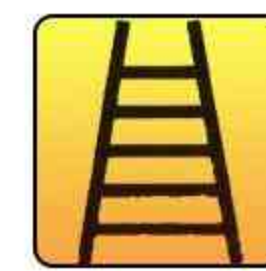
- Seat belt connector
- Total length: Customizable
- 16 kN (3600 lb) gate strength
- Separate inspection
- OEM/ODM



Heavy Duty



Abseiling



Ladder
Climbing



Free Fall
Arrest



BD103 Cushioned double hook elastic rope

Internal Energy absorbing lanyard
Meets ANSI Z359.13-2013

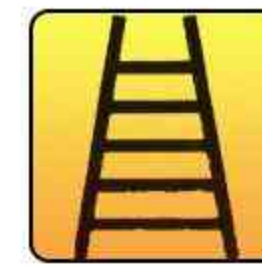
- Seat belt connector
- Total length: Customizable
- 16 kN (3600 lb) gate strength
- Separate inspection
- OEM/ODM



Heavy Duty



Abseiling



Ladder
Climbing



Free Fall
Arrest



BD104 Buffered double hook polyester twist rope

Internal Energy absorbing lanyard
Meets ANSI Z359.13-2013

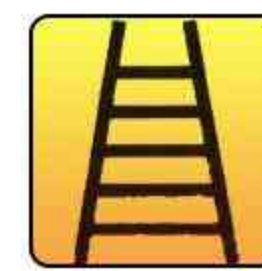
- Seat belt connector
- Total length: Customizable
- 16 kN (3600 lb) gate strength
- Separate inspection
- OEM/ODM



Heavy Duty



Abseiling



Ladder
Climbing



Free Fall
Arrest

SAFETY LANYARD



BD105 Cushioned double hook polyamide rope

Internal Energy absorbing lanyard
Meets ANSI Z359.13-2013

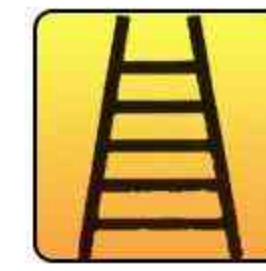
- Seat belt connector
- Total length: Customizable
- 16 kN (3600 lb) gate strength
- Separate inspection
- OEM/ODM



Heavy Duty



Abseiling



Ladder
Climbing



Free Fall
Arrest



BD106 Cushioned double large crochet strap rope

Internal Energy absorbing lanyard
Meets ANSI Z359.13-2013

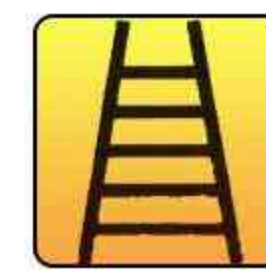
- Seat belt connector
- Total length: Customizable
- 16 kN (3600 lb) gate strength
- Separate inspection
- OEM/ODM



Heavy Duty



Abseiling



Ladder
Climbing



Free Fall
Arrest



BD107 Single hook braided rope

Internal Energy absorbing lanyard
Meets ANSI Z359.13-2013

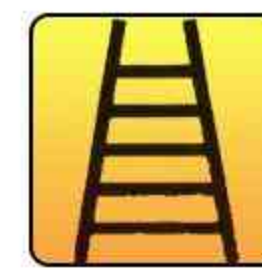
- Seat belt connector
- Total length: Customizable
- 16 kN (3600 lb) gate strength
- Separate inspection
- OEM/ODM



Heavy Duty



Abseiling



Ladder
Climbing



Free Fall
Arrest



BD108 Single hook elastic rope

Internal Energy absorbing lanyard
Meets ANSI Z359.13-2013

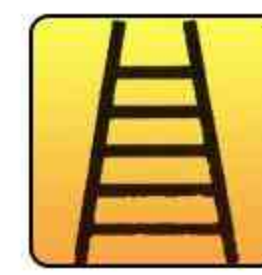
- Seat belt connector
- Total length: Customizable
- 16 kN (3600 lb) gate strength
- Separate inspection
- OEM/ODM



Heavy Duty



Abseiling



Ladder
Climbing



Free Fall
Arrest

SAFETY LANYARD



BD109 Single large hook nylon rope

Internal Energy absorbing lanyard
Meets ANSIZ359.13-2013

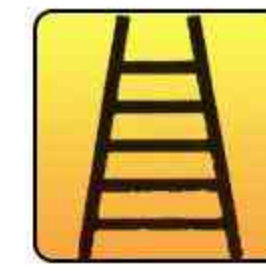
- Seat belt connector
- Total length: Customizable
- 16 kN (3600 lb) gate strength
- Separate inspection
- OEM/ODM



Heavy Duty



Abseiling



Ladder
Climbing



Free Fall
Arrest



BD110 Single big hook polyester twist rope

Internal Energy absorbing lanyard
Meets ANSIZ359.13-2013

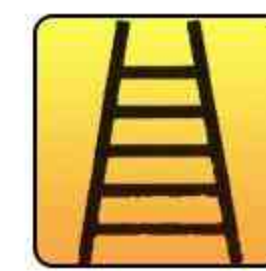
- Seat belt connector
- Total length: Customizable
- 16 kN (3600 lb) gate strength
- Separate inspection
- OEM/ODM



Heavy Duty



Abseiling



Ladder
Climbing



Free Fall
Arrest



BD111 Single large crochet strap rope

Internal Energy absorbing lanyard
Meets ANSIZ359.13-2013

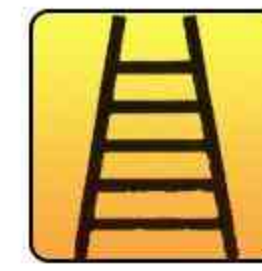
- Seat belt connector
- Total length: Customizable
- 16 kN (3600 lb) gate strength
- Separate inspection
- OEM/ODM



Heavy Duty



Abseiling



Ladder
Climbing



Free Fall
Arrest



BD112 Braided rope with single small hook

Internal Energy absorbing lanyard
Meets ANSIZ359.13-2013

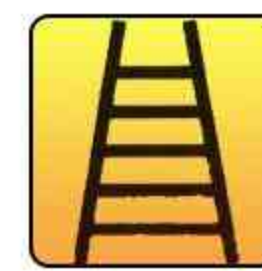
- Seat belt connector
- Total length: Customizable
- 16 kN (3600 lb) gate strength
- Separate inspection
- OEM/ODM



Heavy Duty



Abseiling



Ladder
Climbing



Free Fall
Arrest

SAFETY LANYARD



BD113 Single small hook elastic rope

Internal Energy absorbing lanyard
Meets ANSIZ359.13-2013

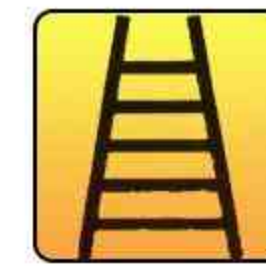
- Seat belt connector
- Total length: Customizable
- 16 kN (3600 lb) gate strength
- Separate inspection
- OEM/ODM



Heavy Duty



Abseiling



Ladder
Climbing



Free Fall
Arrest



BD114 Single small hook nylon rope

Internal Energy absorbing lanyard
Meets ANSIZ359.13-2013

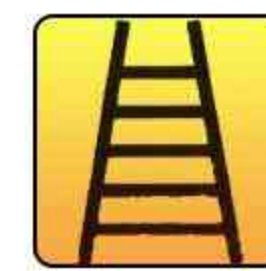
- Seat belt connector
- Total length: Customizable
- 16 kN (3600 lb) gate strength
- Separate inspection
- OEM/ODM



Heavy Duty



Abseiling



Ladder
Climbing



Free Fall
Arrest



BD115 Single small hook polyester twist rope

Internal Energy absorbing lanyard
Meets ANSIZ359.13-2013

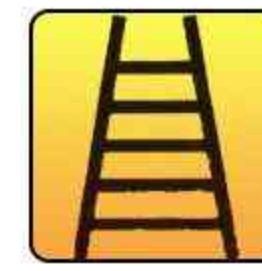
- Seat belt connector
- Total length: Customizable
- 16 kN (3600 lb) gate strength
- Separate inspection
- OEM/ODM



Heavy Duty



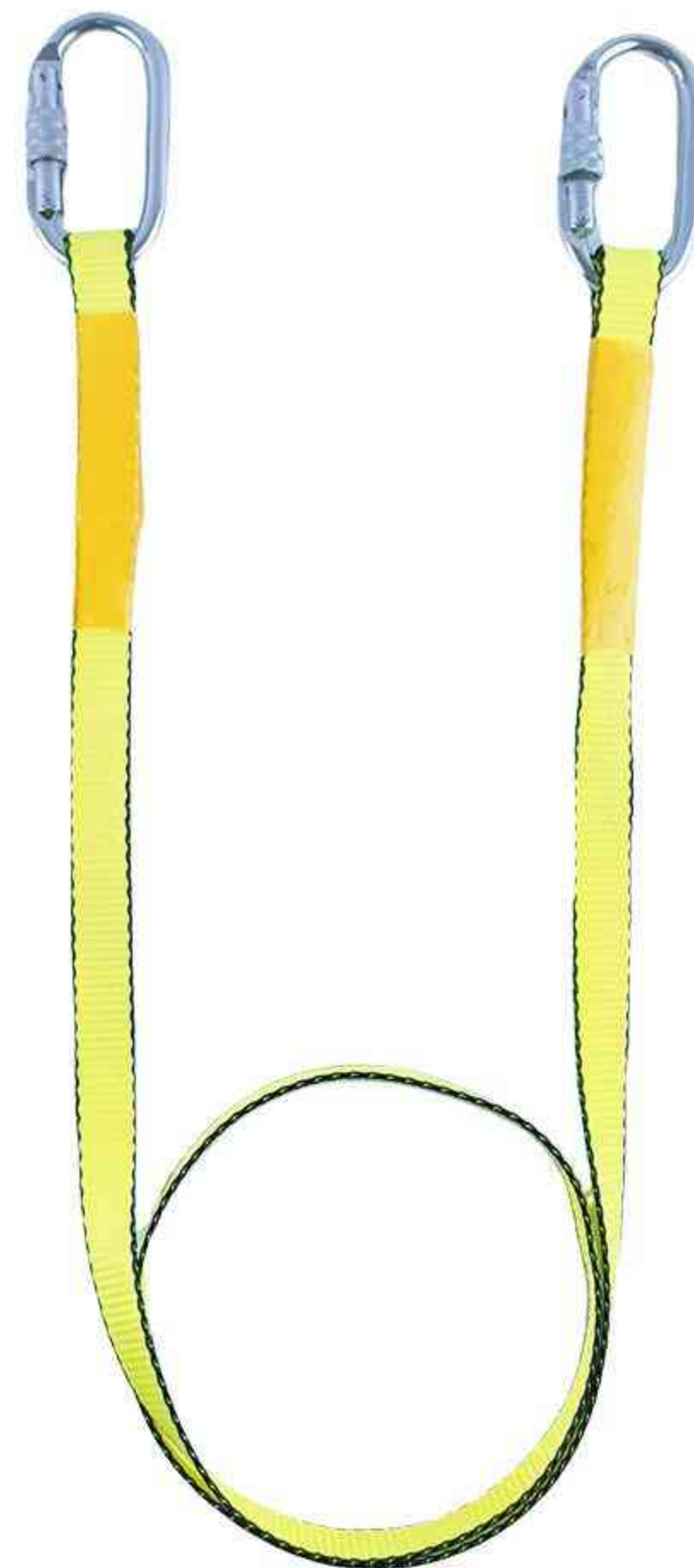
Abseiling



Ladder
Climbing



Free Fall
Arrest



BD116 Single small crochet strap rope

Internal Energy absorbing lanyard
Meets ANSIZ359.13-2013

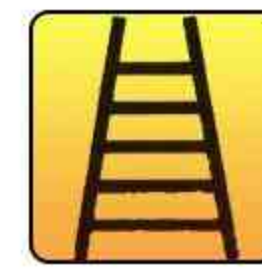
- Seat belt connector
- Total length: Customizable
- 16 kN (3600 lb) gate strength
- Separate inspection
- OEM/ODM



Heavy Duty



Abseiling



Ladder
Climbing



Free Fall
Arrest

BIDA COMPANY

巛达安防

BETTER SAFE THAN SORRY.CHOOSE BIDA SAFETY

ACCESSORIES

Snap Hook

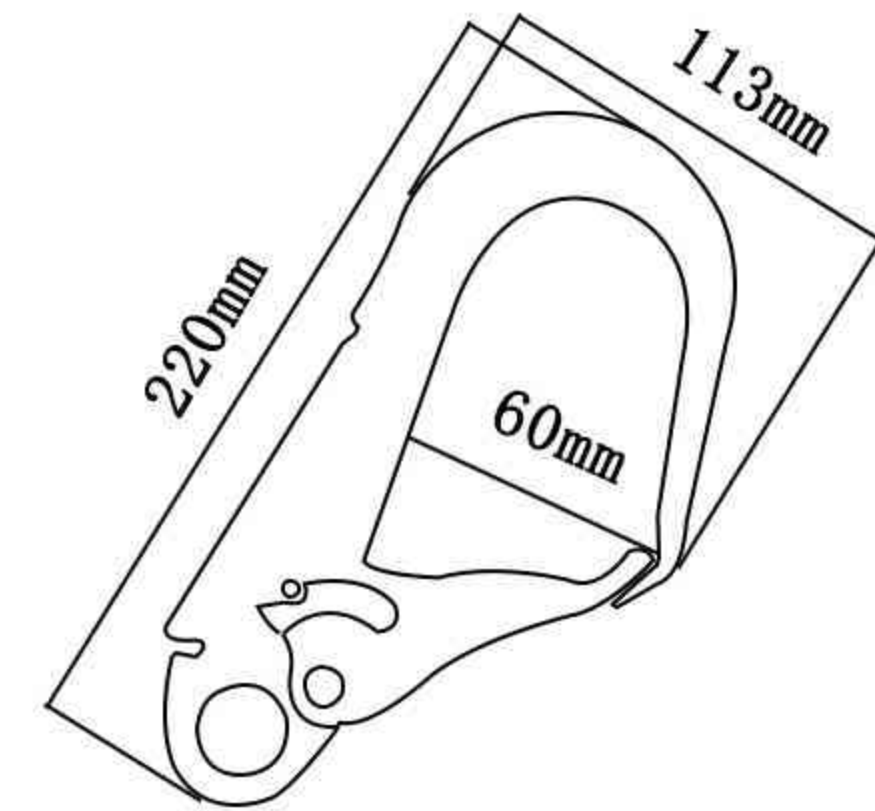
Snap hook must be double action opening for the gate to open. This is a safely prerequisite; the reason is to prevent the snap hook from being accidentally opened. Snap hook is either forged or stamped and stress tested to withstand high dynamic loading without failing. Any system works only if the various components are properly connected one to the other. The connection must be easy to perform and must be safe. BIDA snap hooks have been developed with the objective of providing the best connection in any foreseeable working condition.



BD201 Snap Hook

Space aluminum big hook

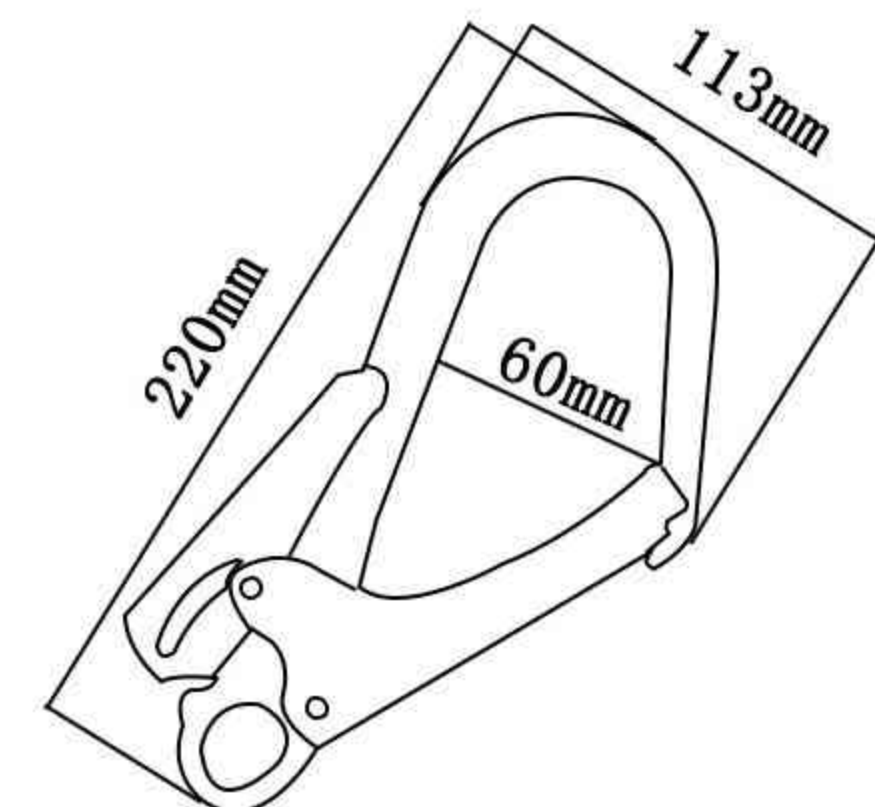
- Forging steel
- 100% proof loaded to 3600lbs/16KN
- Min. Breaking strength; 5600lbs/22KN
- Open width: 55mm
- Certified to: EN362-2004



BD202 Snap Hook

Large chrome hook

- Forging steel
- 100% proof loaded to 3600lbs/16KN
- Min. Breaking strength; 5600lbs/22KN
- Open width: 55mm
- Certified to: EN362-2004

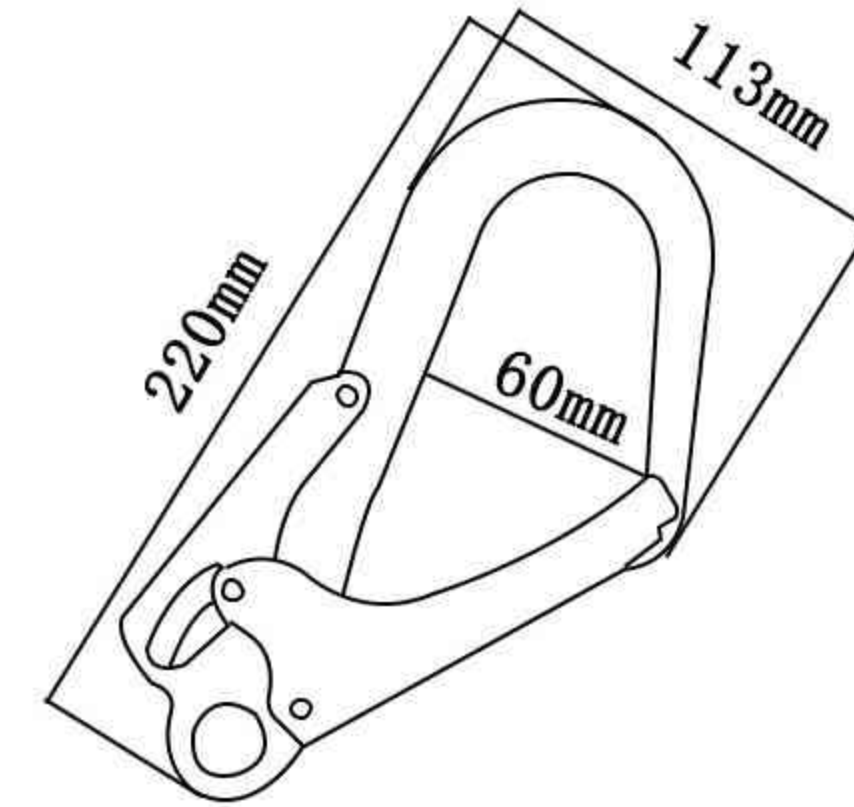




BD203 Snap Hook

Galvanized large hook

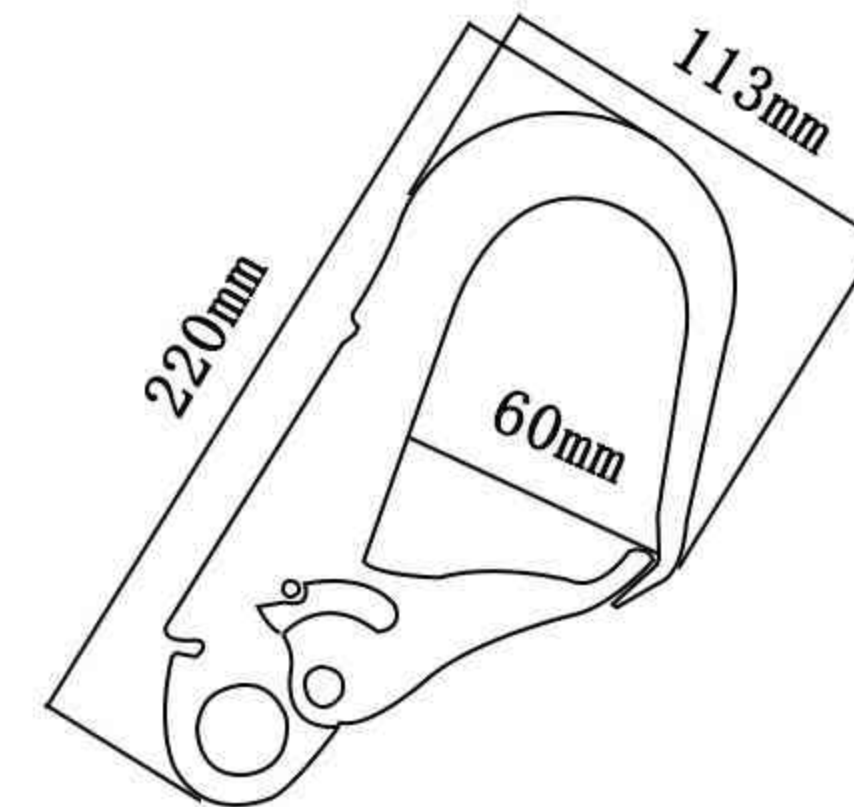
- Forging steel
- 100% proof loaded to 3600lbs/16KN
- Min.Breaking strength; 5600lbs/22KN
- Open width: 55mm
- Certified to:EN362-2004



BD204 Snap Hook

Galvanized large hook

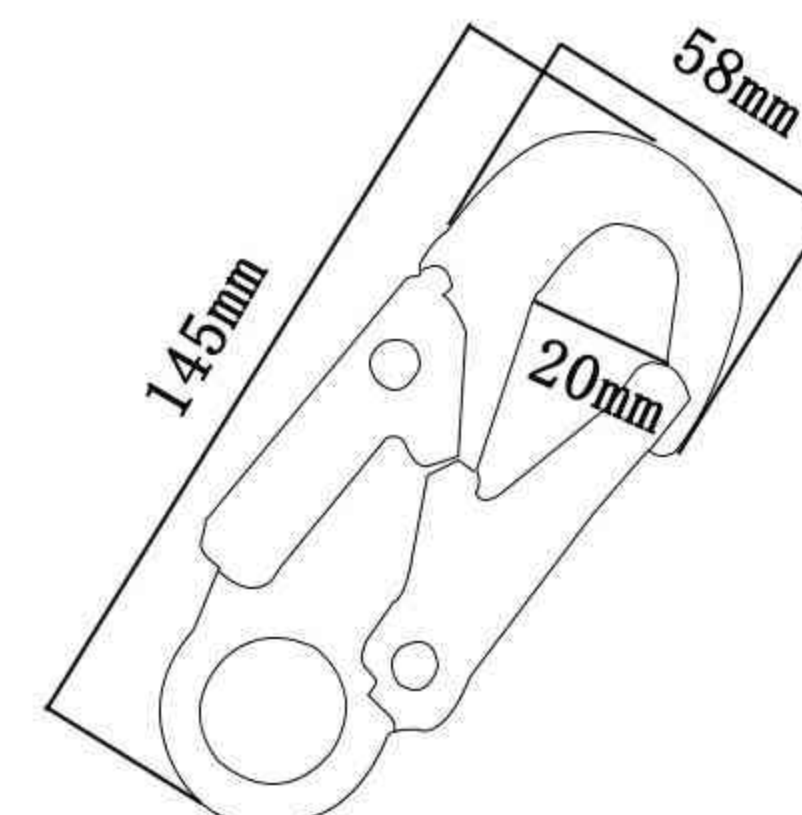
- Forging steel
- 100% proof loaded to 3600lbs/16KN
- Min.Breaking strength; 5600lbs/22KN
- Open width: 55mm
- Certified to:EN362-2004



BD205 Snap Hook

Hoist hook

- Forging steel
- 100% proof loaded to 3600lbs/16KN
- Min.Breaking strength; 5600lbs/22KN
- Open width: 20mm
- Certified to:EN362-2004

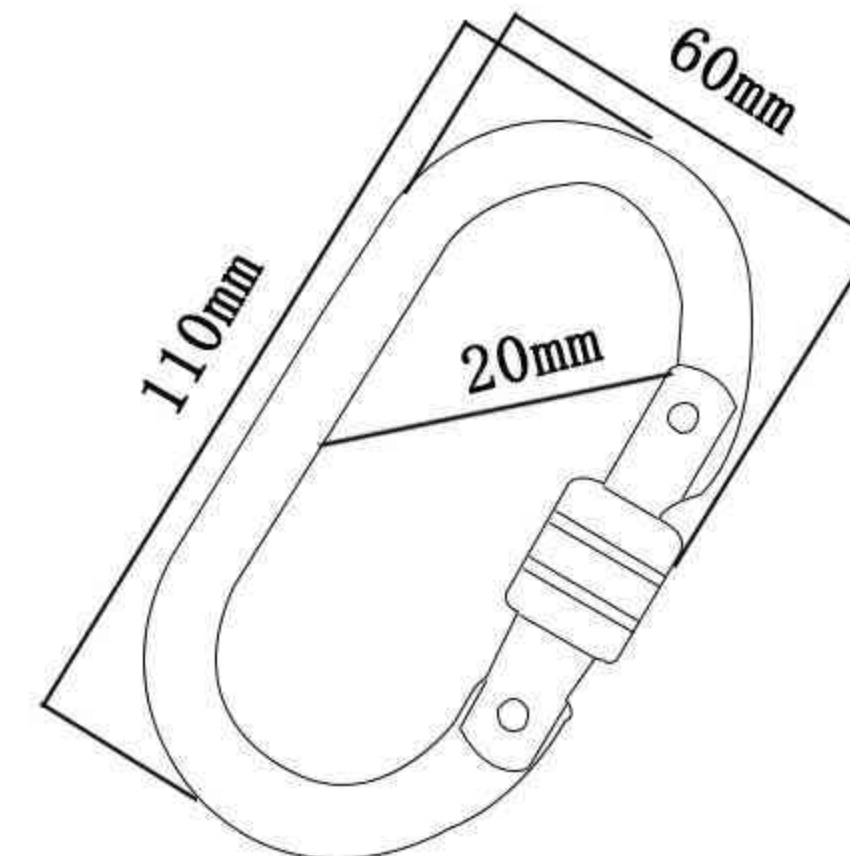




BD206 Snap Hook

Galvanized O-hook

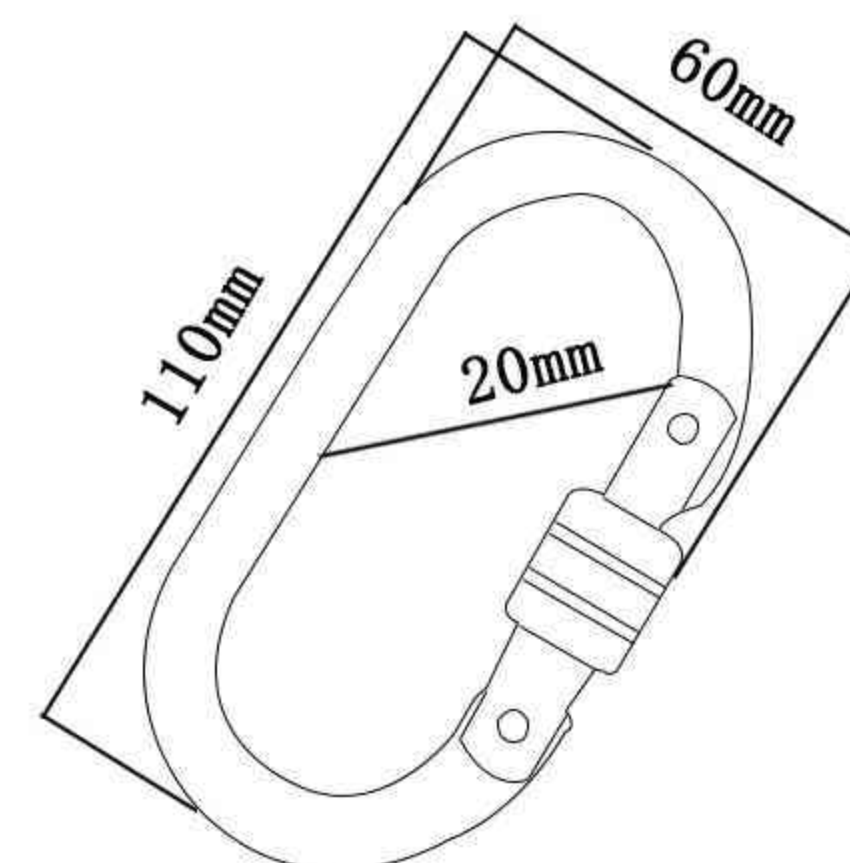
- Forging steel
- 100% proof loaded to 3600lbs/16KN
- Min.Breaking strength; 5600lbs/22KN
- Open width: 20mm
- Certified to:EN362-2005



BD207 Snap Hook

Alloy steel O-hook

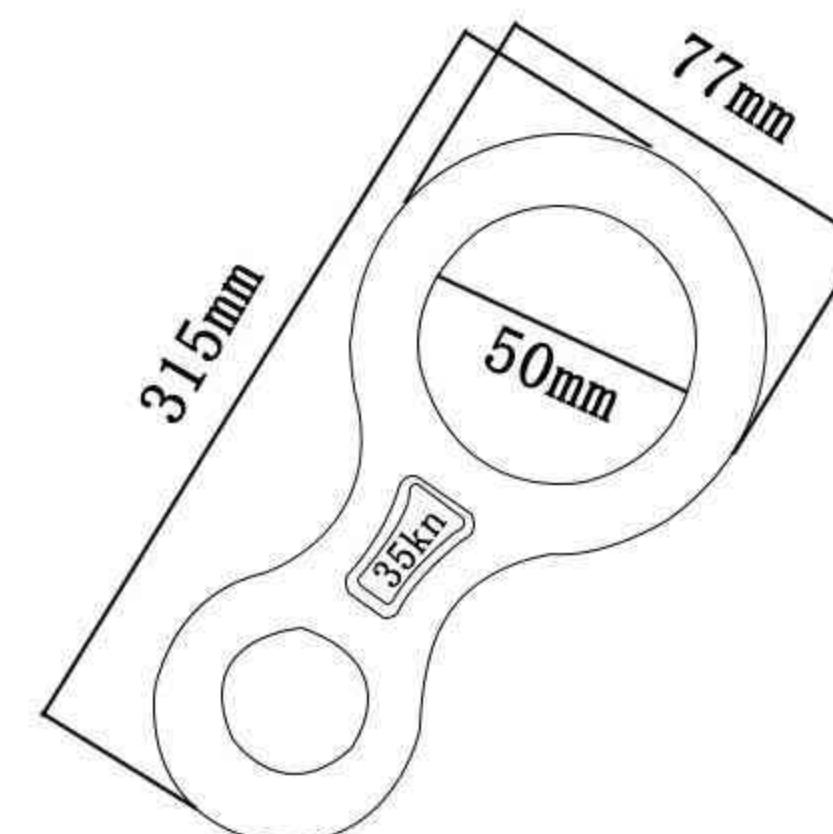
- Forging steel
- 100% proof loaded to 3600lbs/16KN
- Min.Breaking strength; 5600lbs/22KN
- Open width: 20mm
- Certified to:EN362-2005



BD208 descender

8 font descender

- Forging steel
- Min.Breaking strength; 35KN
- diameter: 50mm
- Certified to:EN362-2005

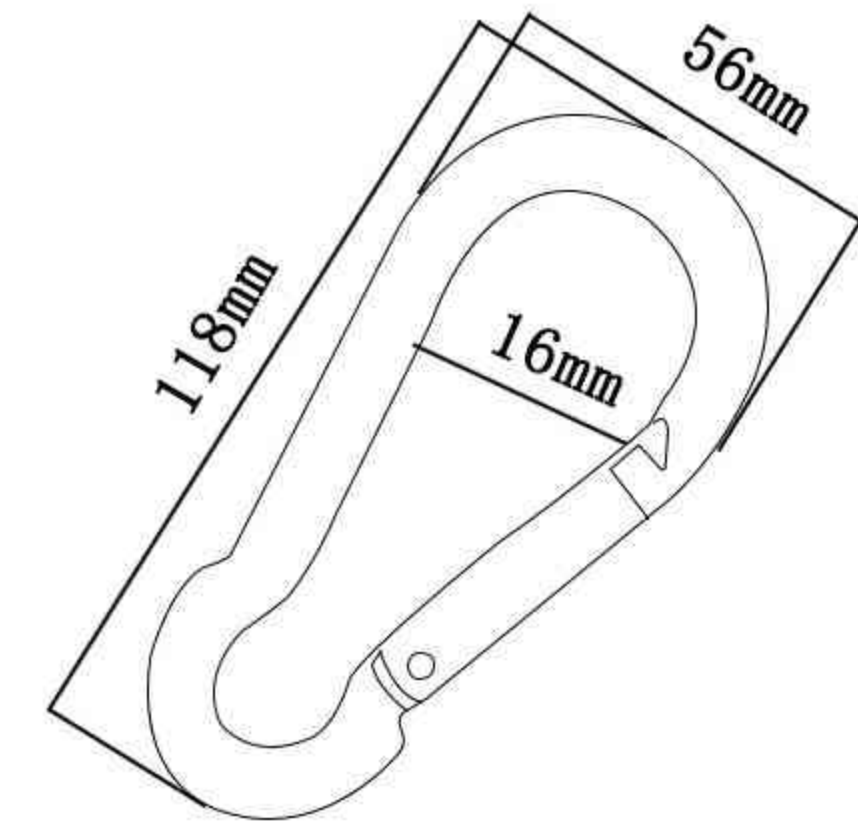




BD209 Snap Hook

Galvanized gourd type hook

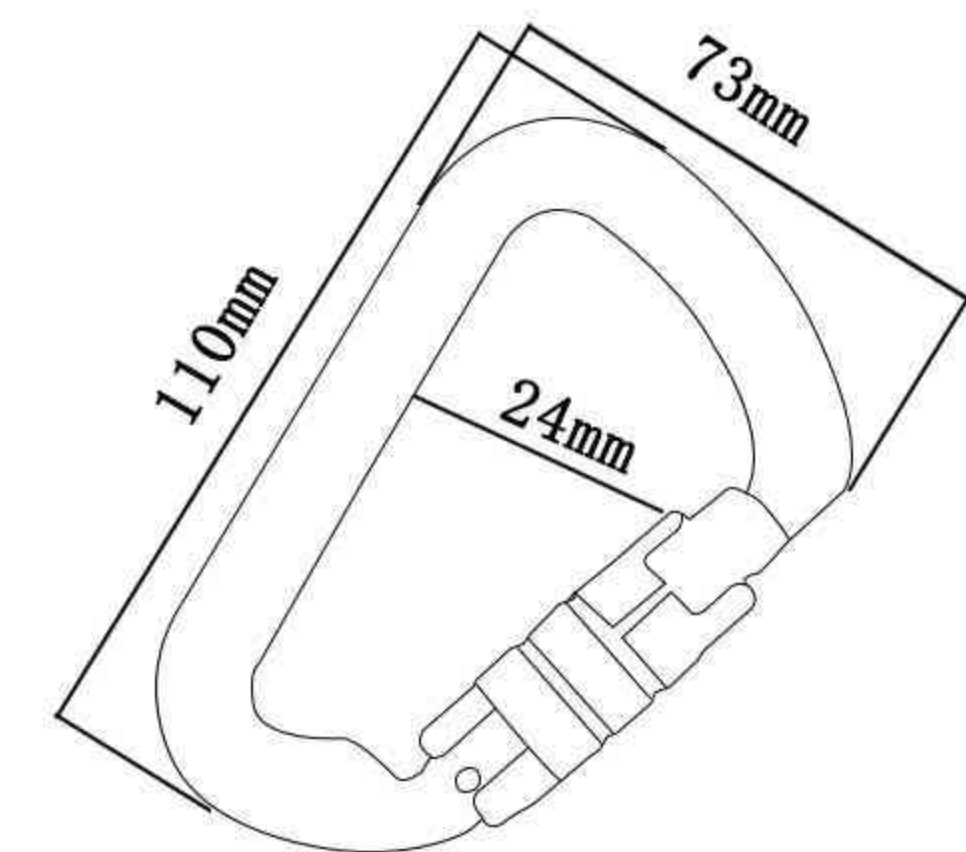
- Forging steel
- 100% proof loaded to 3600lbs/16KN
- Min.Breaking strength; 5600lbs/22KN
- Open width: 16mm
- Certified to:EN362-2004



BD210 Snap Hook

Space aluminum pear hook

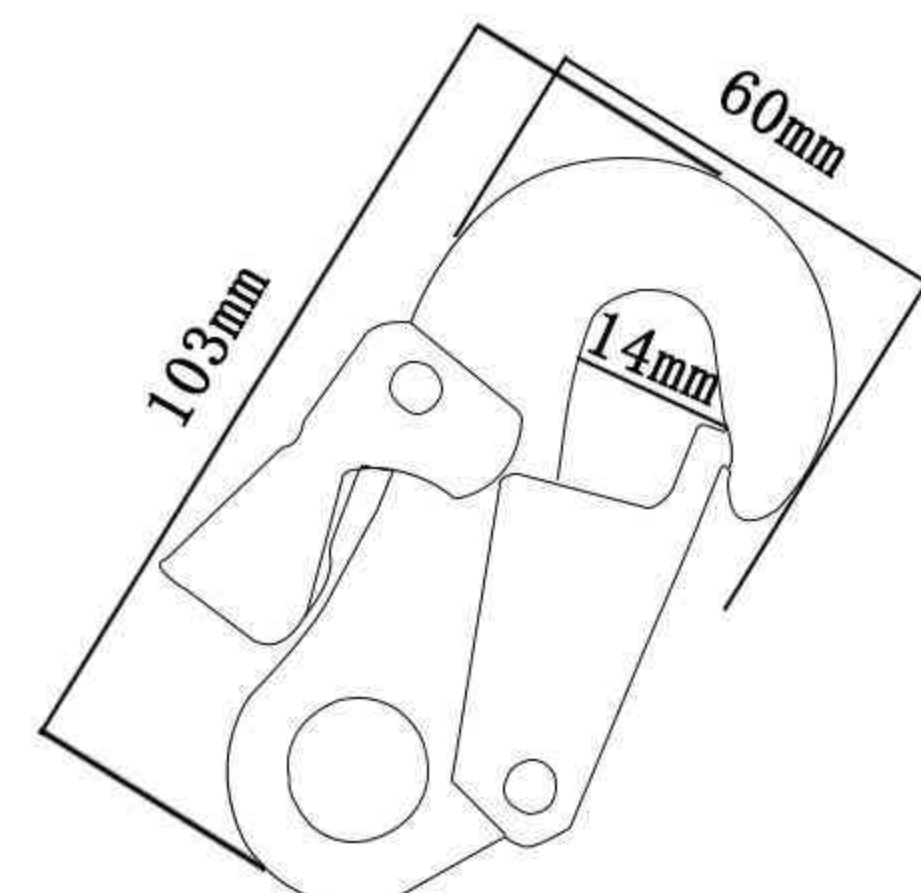
- Forging steel
- 100% proof loaded to 3600lbs/16KN
- Min.Breaking strength; 5600lbs/22KN
- Open width: 24mm
- Certified to:EN362-2004



BD211 Snap Hook

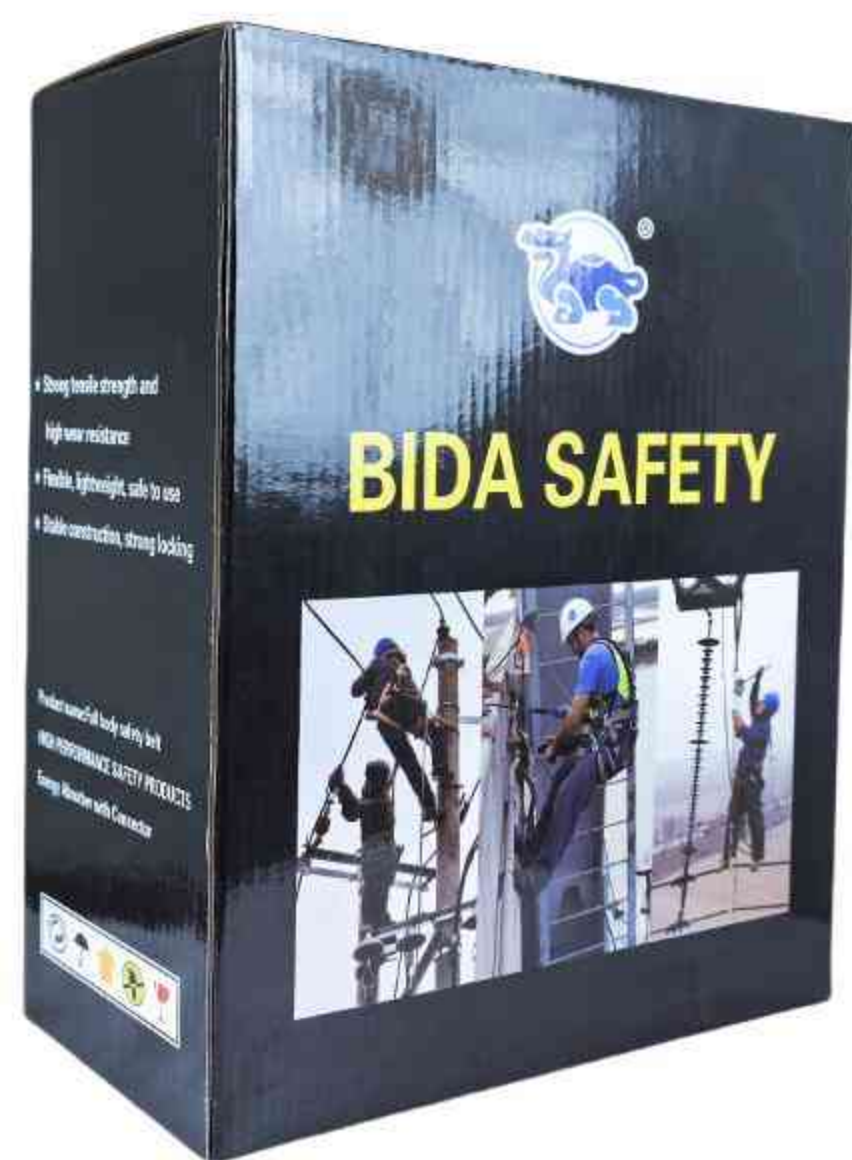
Chrome plated plate type hook

- Forging steel
- 100% proof loaded to 3600lbs/16KN
- Min.Breaking strength; 5600lbs/22KN
- Open width: 18mm
- Certified to:EN362-2004



BIDA COMPANY

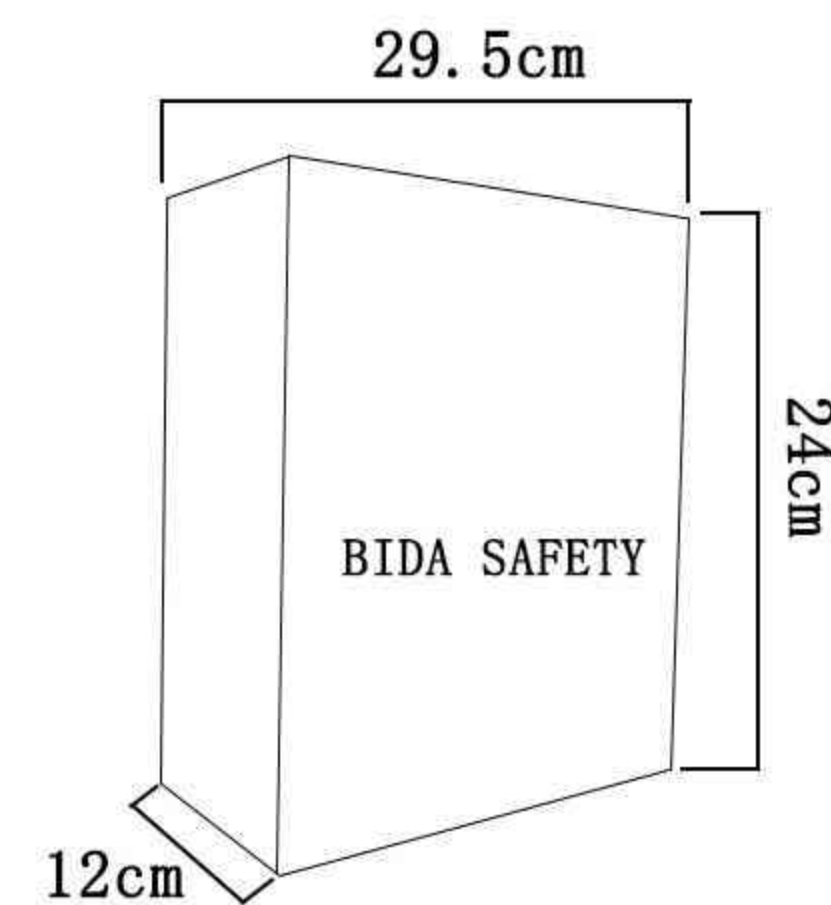
颯达安防



BD212 Packing box

Black box

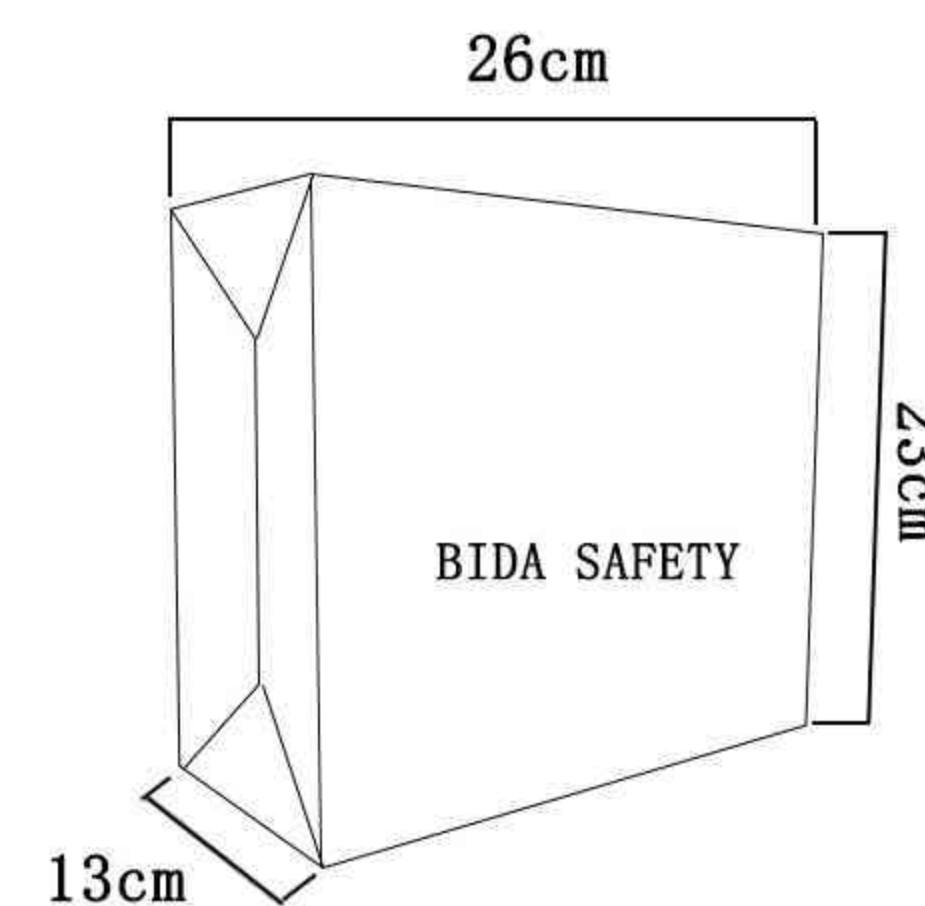
- Individually customizable
- Size can be customized
- Colors can be customized
- Materials can be customized
- OEM/ODM



BD213 Packing box

Black box

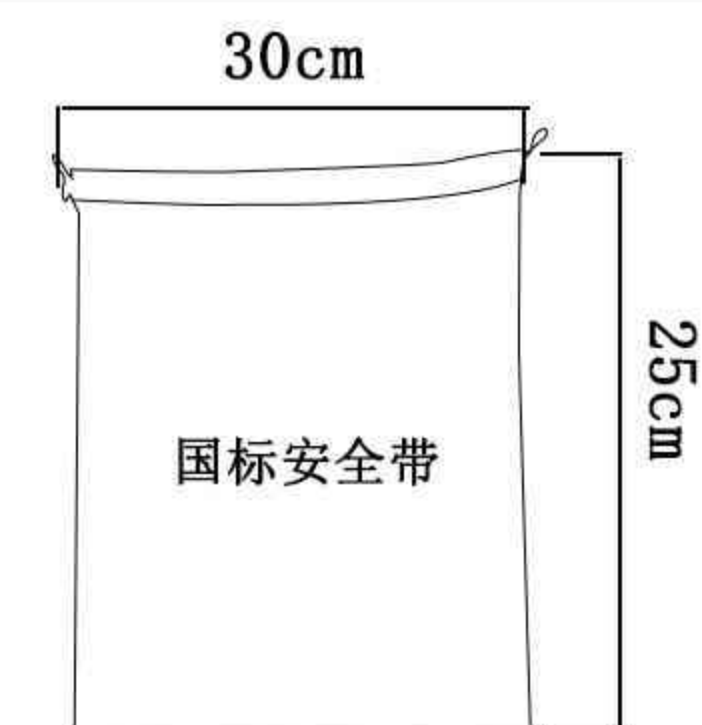
- Individually customizable
- Size can be customized
- Colors can be customized
- Materials can be customized
- OEM/ODM



BD214 Packing bag

Black packing bag

- Individually customizable
- Size can be customized
- Colors can be customized
- Materials can be customized
- OEM/ODM



BIDA COMPANY

颢达安防

NICE ROPE NET

Committed to labor insurance products research and development, production, sales in one



BD215 Rainbow web

Colour screen

- Mixed color weaving
- Polyester material
- Easy and quick installation
- Resistant to weather and impact
- OEM/ODM



BD216 Camouflage net

Camouflage net

- Camouflage against aerial photography
- sunblock
- Equipment camouflage
- Theme decoration
- OEM/ODM

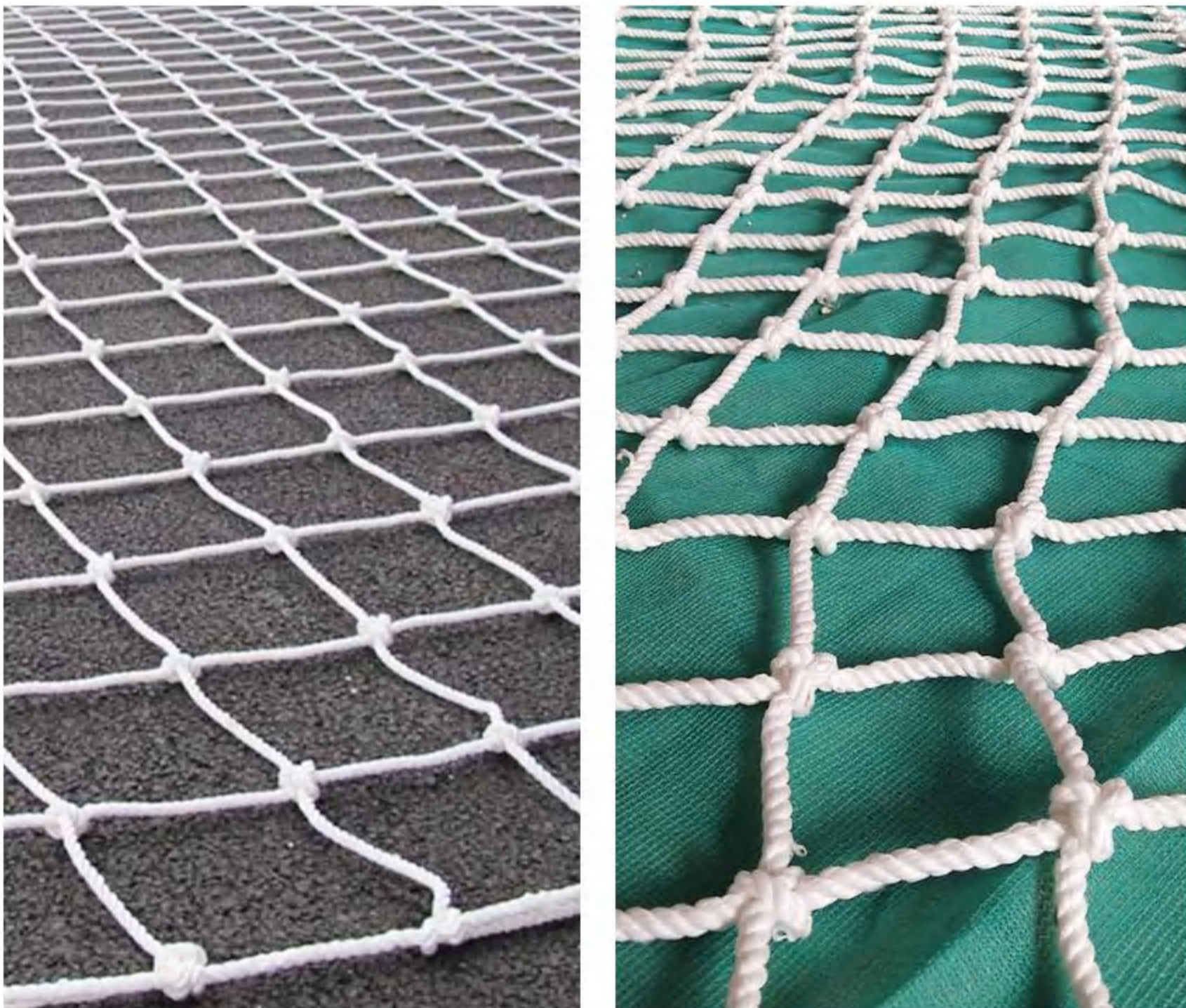
ROPE NET



BD217 Sunshade net

Edge sunshade net

- Forging steel
- Anti-fall and anti-go position
- Buttonhole reinforcement
- Wrap edges around corners
- OEM/ODM



BD218 Safety net

Building safety white net

- Uniform mesh
- Thickened rope body
- High strength polyester silk
- Mechanical organization
- OEM/ODM



BD219 Safety rope

Polyester safety rope

- Full color
- Safety rope for working at altitude
- Wear and sun resistance
- Anti-slip and drag
- Easy knotting
- OEM/ODM



BD220 Artificial lawn

Artificial turf

- Thick encryption
- 1-5 cm can be customized
- Fireproof and heat-insulating lawn
- Source factory
- OEM/ODM

BIDA COMPANY

颢达安防

**FOR SAFETY
FOR FAMILY**

Wechat Wechat WhatsApp



BIDA COMPANY

Binzhou Bida Chemical Fiber Rope and Net Co., Ltd.

Huji Town Industrial Park, Huimin County, Binzhou City, Shandong Province, China, Postcode - 25660

Tel:+86-184-5432-8111

Website: <https://www.binzhoubida.com>

E-mail: binzhoushibidahuaxian@gmail.com